

SINGLE WIDE ALUMINUM SCAFFOLD

HORIZONTAL BRACE

6 Ft - Part# H6A
8 Ft - Part# H8A
10 Ft - Part# H10A

INTERLOCK CLIP

Part# - IC25
(Short Pin)

OUTRIGGER CLIP

Part# - LIC65
(Long Pin)

EXTENSION FRAME

4 Ft - Part# SW4UF
5 Ft 6 In - Part# SW56UF
6 Ft 9 In - Part# SW69UF

ALUMINUM TOEBOARDS

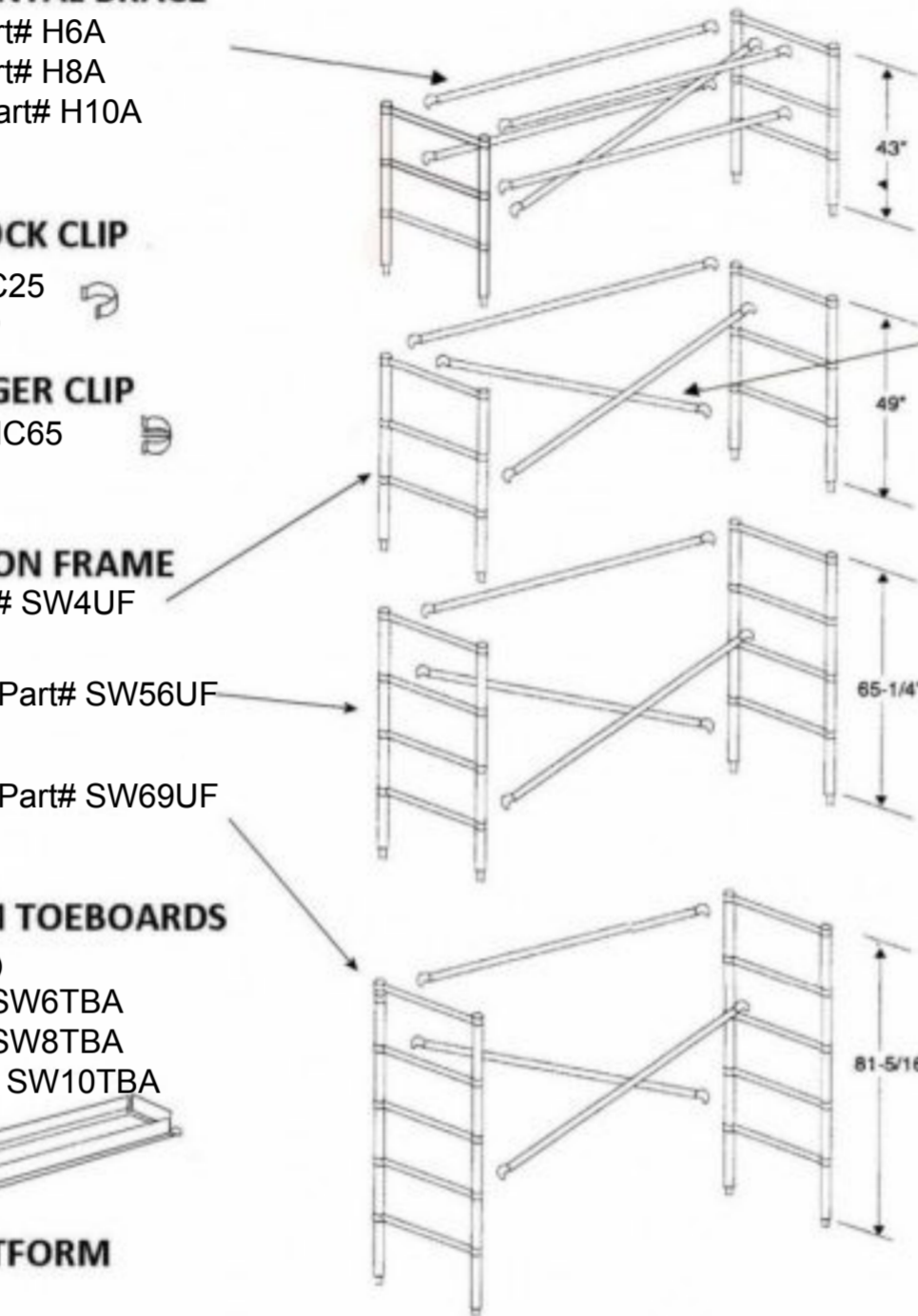
(No Hatch)
6 Ft - Part# SW6TBA
8 Ft - Part# SW8TBA
10 Ft - Part# SW10TBA

STANDARD PLATFORM

6 Ft - Part# - AP06
8 Ft - Part# - AP08
10 ft - Part# - AP10

OUTRIGGER

Standard - Part# - AORS44
Long - Part# - AORL62



GUARDRAIL FRAME

Part# SWGR

DIAGONAL BRACE

6 Ft - Part# D6A
8 Ft - Part# D8A
10 Ft - Part# D10A

HATCH PLATFORM

6 Ft - Part# AHP06
8 Ft - Part# AHP08
10 Ft - Part# AHP10

ALUMINUM HATCH PLATFORM

6 Ft - Part# AASP06
8 Ft - Part# AASP08
10 Ft - Part# AASP10

STAIRWELL FOLDING BASE

6 Ft - Part# - SW6S
8 Ft - Part# - SW8S

FOLDING BASE

6 Ft - Part# - SW6FB
8 Ft - Part# - SW8FB

BASE END FRAME

Part# - SWBF
(Without Casters)

CASTER - 8 INCH



Part# - 8C

CASTER - 5 INCH

Part# - 5C

